

# LOW PROFILE SPEAKERS CATALOG

## Features:

### LOW PROFILE

Heights range from 2.5 to 3.5mm

### GASKETS

Custom gaskets are available for the front or back, with or without single or double-sided adhesives.

### IPX7 COMPLIANCE

Water Resistant option on all models.

### HIGH VOLUME

All speakers are produced at our semi-automated facility for high volume and fast turnaround.

### TERMINATION OPTIONS

Spring / Solder Pads / Leads / Connectors

## Applications:

Mobile Phones, Smart Watches, Tablets  
Portable Devices, Security Equipments  
Smart Home Devices

## Available Sizes (mm):

Length \* Width \* Height

12 \* 5.5 \* 3.0

15 \* 8.0 \* 2.5

15 \* 11 \* 2.5

15 \* 11 \* 3.0

15 \* 11 \* 3.5

16 \* 9 \* 3.0

18 \* 13 \* 2.5

20 \* 14 \* 3.0

25 \* 9 \* 3.0



CHANGZHOU CXSOUND ELECTRONIC CO.,LTD

TEL: +86-519-8516 5558

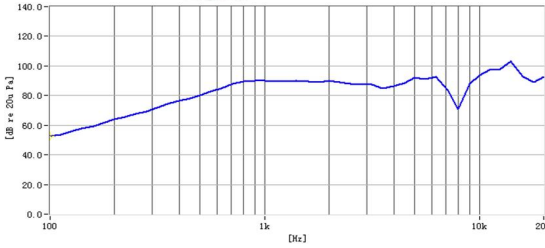
Email: [mike-wmh@hotmail.com](mailto:mike-wmh@hotmail.com)

Web: [www.cxsound.com](http://www.cxsound.com)

Add: 117 Xueye Road, Xinbei District,  
Changzhou, Jiangsu, 213125 China

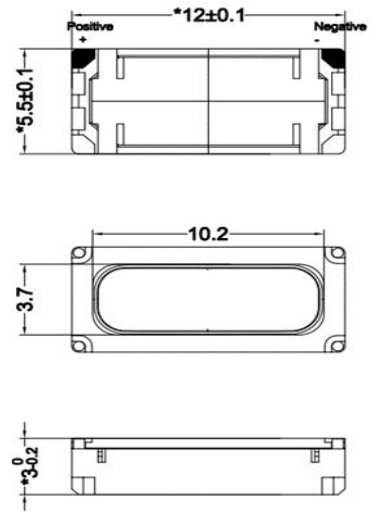
***CXSOUND - Your Trustworthy Audio Components Manufacturer***

**P/N: CXS1255030-R07W0.5-A**

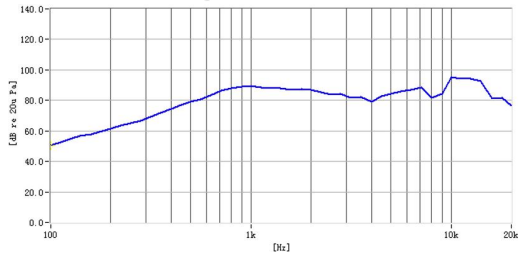


**Specifications**

Length	mm	12
Width	mm	5.5
Height	mm	3
Nominal Power	W	0.5
Max Power	W	0.7
Impedance	Ω	7
Min. SPL	dB	89
Resonant Frequency	Hz	750
Frequency Range	Hz	F0~20K
Cone Material	-	PEEK
Terminal Type	-	Solder Pads

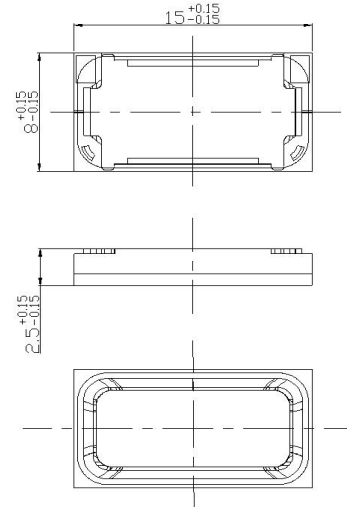


**P/N: CXS1508025-R06W0.5-F**

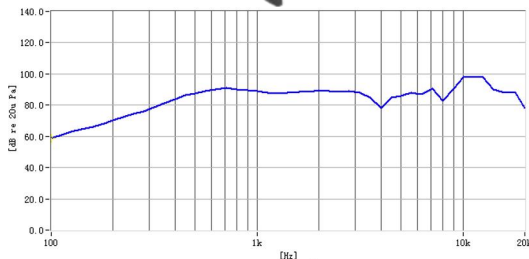


**Specifications**

Length	mm	15
Width	mm	8
Height	mm	2.5
Nominal Power	W	0.5
Max Power	W	0.8
Impedance	Ω	6
Min. SPL	dB	87
Resonant Frequency	Hz	700
Frequency Range	Hz	F0~20K
Cone Material	-	PEEK
Terminal Type	-	Solder Pads

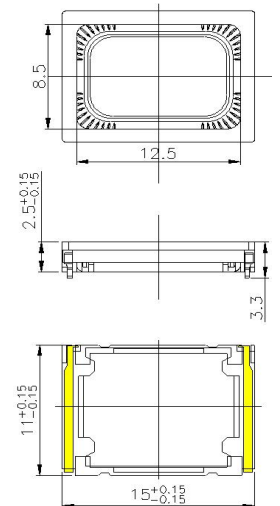


**P/N: CXS1511025-R06W0.5-P**

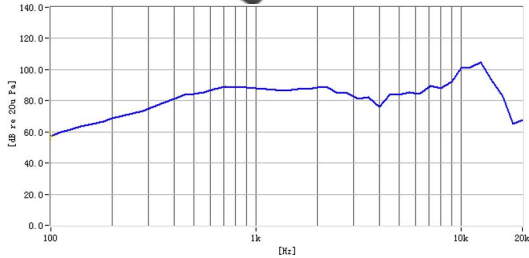


**Specifications**

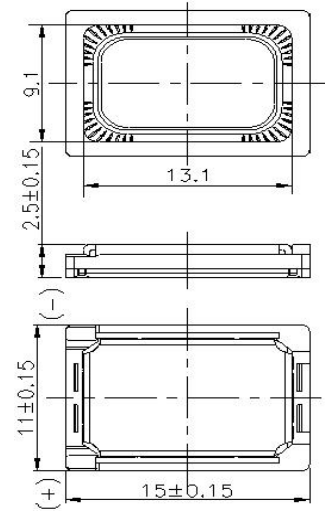
Length	mm	15
Width	mm	11
Height	mm	2.5
Nominal Power	W	0.5
Max Power	W	0.8
Impedance	Ω	6
Min. SPL	dB	90
Resonant Frequency	Hz	550
Frequency Range	Hz	F0~5K
Cone Material	-	PEEK
Terminal Type	-	Spring



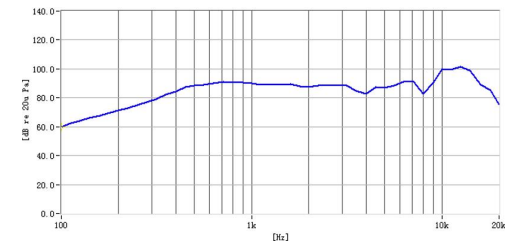
**P/N: CXS1511025-R06W0.7-F3**



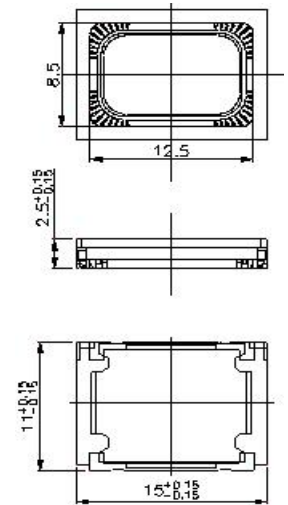
Specifications		
Length	mm	15
Width	mm	11
Height	mm	2.5
Nominal Power	W	0.7
Max Power	W	1
Impedance	Ω	6
Min. SPL	dB	92
Resonant Frequency	Hz	550
Frequency Range	Hz	F0~20K
Cone Material	-	PEEK
Terminal Type	-	Solder Pads



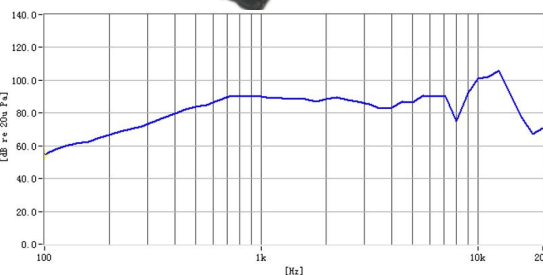
**P/N: CXS1511025-R08W0.5-F**



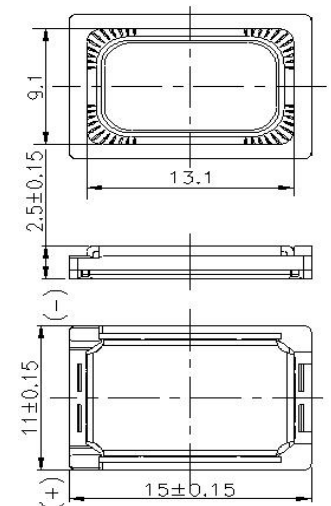
Specifications		
Length	mm	15
Width	mm	11
Height	mm	2.5
Nominal Power	W	0.5
Max Power	W	0.8
Impedance	Ω	8
Min. SPL	dB	88
Resonant Frequency	Hz	500
Frequency Range	Hz	F0~5K
Cone Material	-	PEEK
Terminal Type	-	Solder Pads



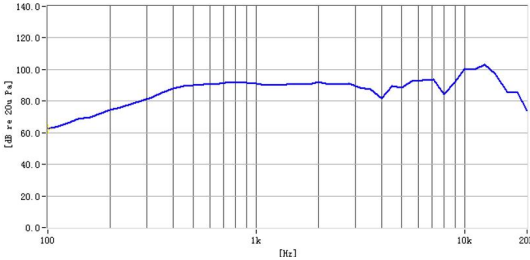
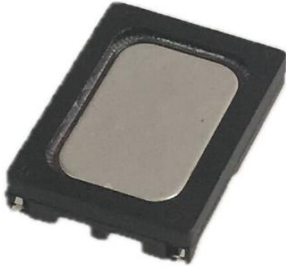
**P/N: CXS1511025-R08W0.7-F2**



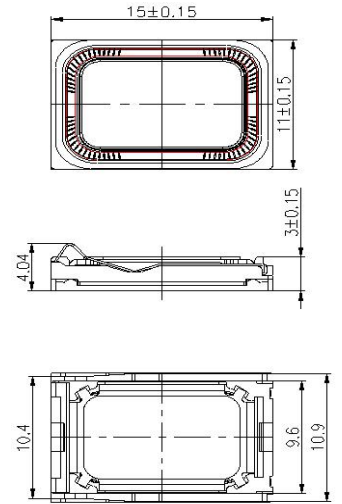
Specifications		
Length	mm	15
Width	mm	11
Height	mm	2.5
Nominal Power	W	0.7
Max Power	W	1
Impedance	Ω	8
Min. SPL	dB	92
Resonant Frequency	Hz	550
Frequency Range	Hz	F0~20K
Cone Material	-	PEEK
Terminal Type	-	Solder Pads



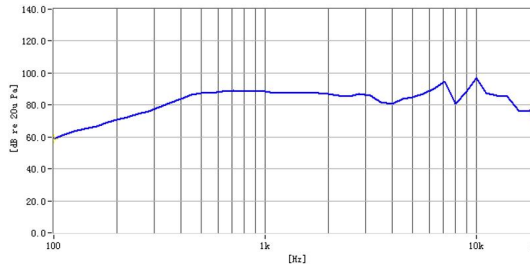
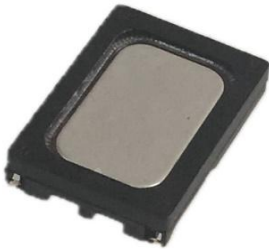
**P/N: CXS1511030-R08W0.5-F**



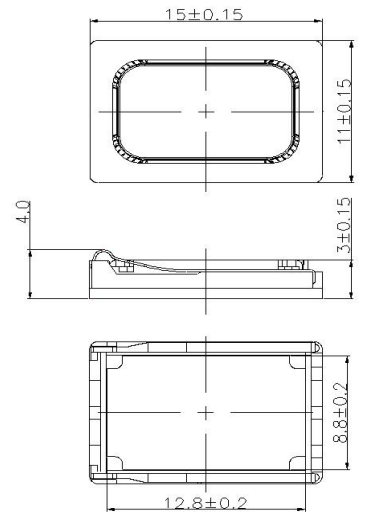
Specifications		
Length	mm	15
Width	mm	11
Height	mm	3
Nominal Power	W	0.5
Max Power	W	0.8
Impedance	Ω	8
Min. SPL	dB	92
Resonant Frequency	Hz	600
Frequency Range	Hz	F0~5K
Cone Material	-	PEEK
Terminal Type	-	Spring



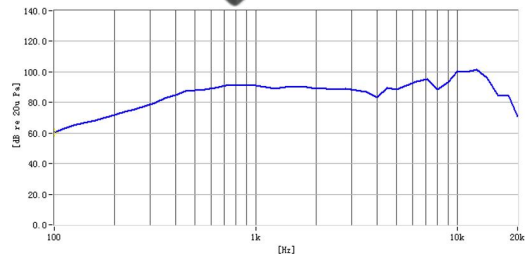
**P/N: CXS1511030-R08W0.8-F**



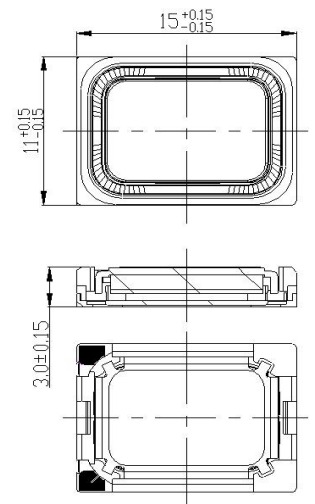
Specifications		
Length	mm	15
Width	mm	11
Height	mm	3
Nominal Power	W	0.8
Max Power	W	1
Impedance	Ω	8
Min. SPL	dB	88
Resonant Frequency	Hz	600
Frequency Range	Hz	F0~5K
Cone Material	-	PEEK
Terminal Type	-	Spring



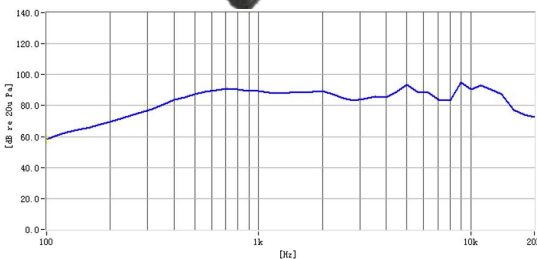
**P/N: CXS1511030-R08W0.8-F3**



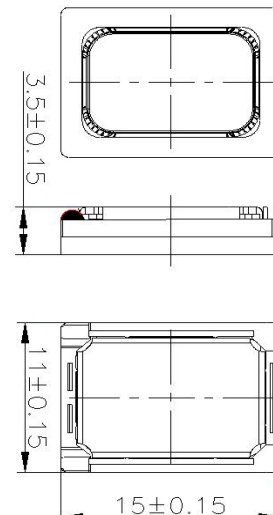
Specifications		
Length	mm	15
Width	mm	11
Height	mm	3
Nominal Power	W	0.8
Max Power	W	1
Impedance	Ω	8
Min. SPL	dB	90
Resonant Frequency	Hz	600
Frequency Range	Hz	F0~5K
Cone Material	-	PEEK
Terminal Type	-	Solder Pads



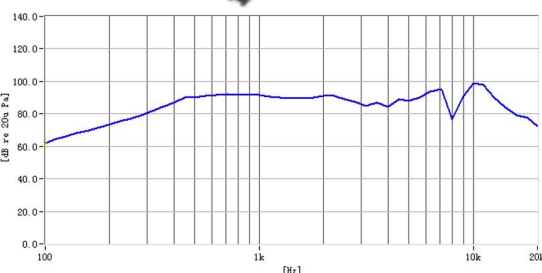
**P/N: CXS1511035-R08W0.5-F5**



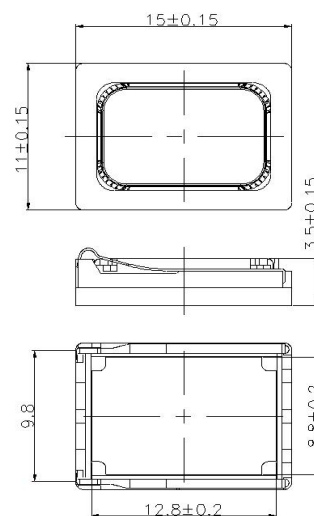
Specifications		
Length	mm	15
Width	mm	11
Height	mm	3.5
Nominal Power	W	0.5
Max Power	W	0.8
Impedance	Ω	8
Min. SPL	dB	92
Resonant Frequency	Hz	550
Frequency Range	Hz	F0~20K
Cone Material	-	PEN
Terminal Type	-	Solder Pads



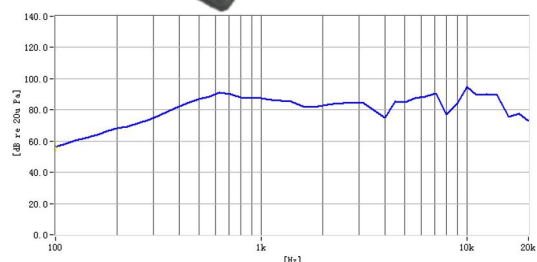
**P/N: CXS1511035-R08W0.7-A**



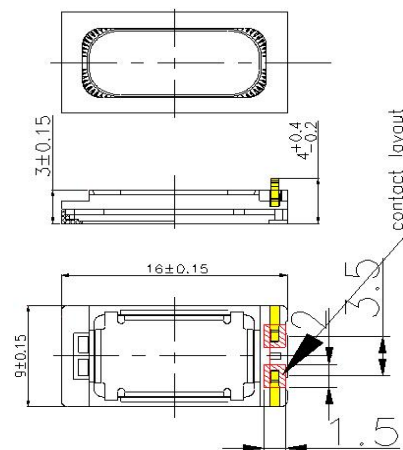
Specifications		
Length	mm	15
Width	mm	11
Height	mm	3.5
Nominal Power	W	0.7
Max Power	W	1
Impedance	Ω	8
Min. SPL	dB	92
Resonant Frequency	Hz	550
Frequency Range	Hz	F0~10K
Cone Material	-	PEEK
Terminal Type	-	Spring



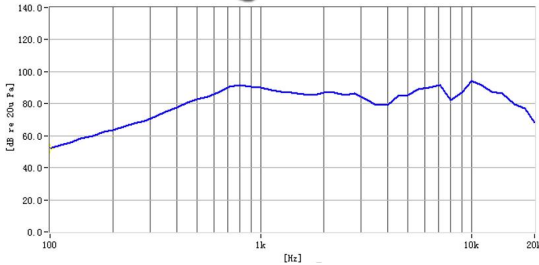
**P/N: CXS1609030-R08W0.5-F4**



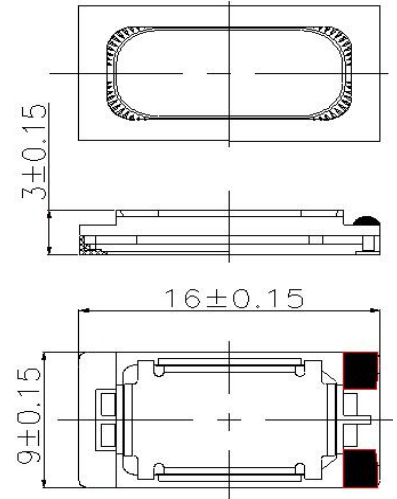
Specifications		
Length	mm	16
Width	mm	9
Height	mm	3
Nominal Power	W	0.5
Max Power	W	0.8
Impedance	Ω	8
Min. SPL	dB	87
Resonant Frequency	Hz	700
Frequency Range	Hz	F0~10K
Cone Material	-	PEEK
Terminal Type	-	Spring



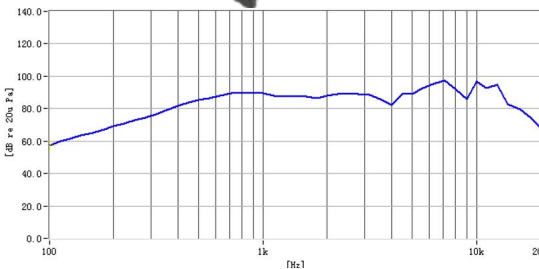
**P/N: CXS1609030-R08W0.5-G2**



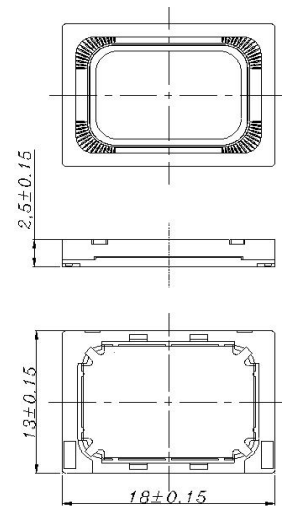
Specifications		
Length	mm	16
Width	mm	9
Height	mm	3
Nominal Power	W	0.5
Max Power	W	0.8
Impedance	Ω	8
Min. SPL	dB	87
Resonant Frequency	Hz	700
Frequency Range	Hz	F0~10K
Cone Material	-	PEEK
Terminal Type	-	Solder Pads



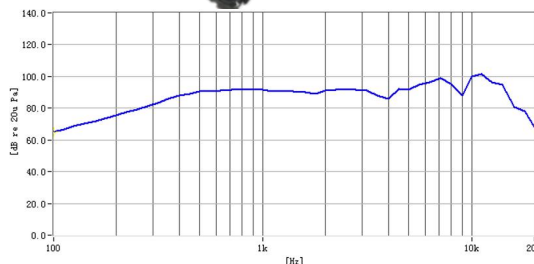
**P/N: CXS1318025-R08W0.5-F5**



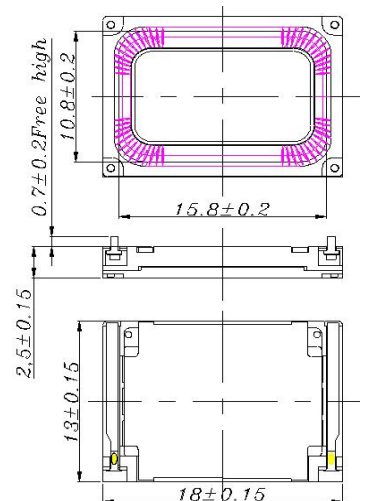
Specifications		
Length	mm	18
Width	mm	13
Height	mm	2.5
Nominal Power	W	0.5
Max Power	W	0.8
Impedance	Ω	8
Min. SPL	dB	89
Resonant Frequency	Hz	500
Frequency Range	Hz	F0~5K
Cone Material	-	PEEK
Terminal Type	-	Solder Pads



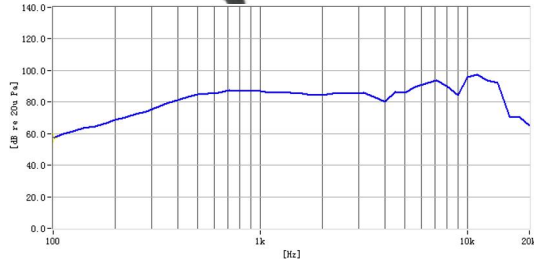
**P/N: CXS1318025-R08W0.5-F6**



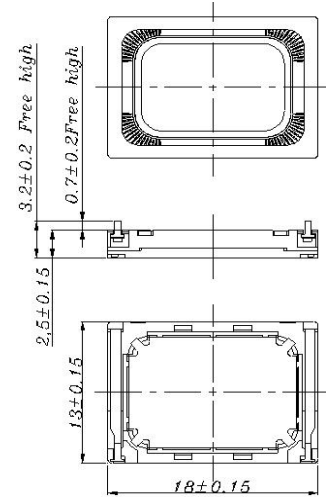
Specifications		
Length	mm	18
Width	mm	13
Height	mm	2.5
Nominal Power	W	0.5
Max Power	W	0.8
Impedance	Ω	8
Min. SPL	dB	92
Resonant Frequency	Hz	500
Frequency Range	Hz	F0~20K
Cone Material	-	PEEK
Terminal Type	-	Spring



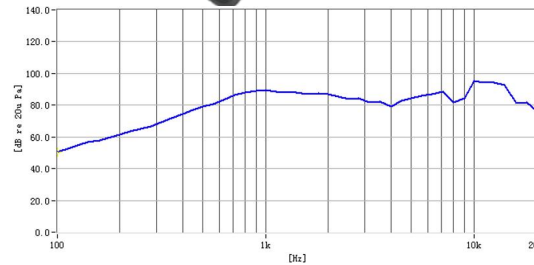
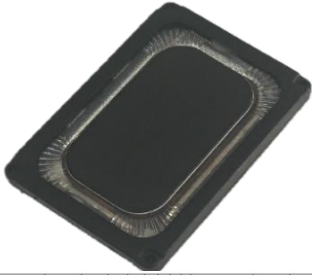
**P/N: CXS1318025-R08W0.5-P2**



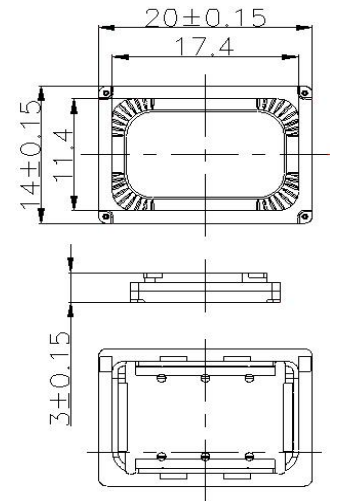
Specifications		
Length	mm	18
Width	mm	13
Height	mm	2.5
Nominal Power	W	0.5
Max Power	W	0.8
Impedance	Ω	8
Min. SPL	dB	85
Resonant Frequency	Hz	500
Frequency Range	Hz	F0~20K
Cone Material	-	PEEK
Terminal Type	-	Spring



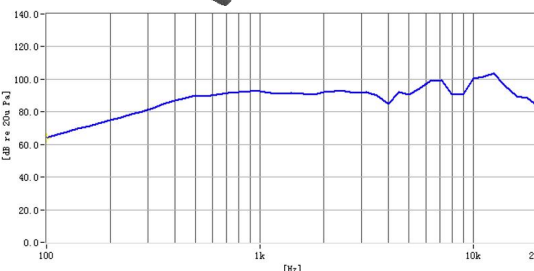
**P/N: CXS2014030-R08W0.5-F**



Specifications		
Length	mm	20
Width	mm	14
Height	mm	3
Nominal Power	W	0.5
Max Power	W	0.8
Impedance	Ω	8
Min. SPL	dB	92
Resonant Frequency	Hz	450
Frequency Range	Hz	F0~5K
Cone Material	-	PEEK
Terminal Type	-	Solder Pads



**P/N: CXS2509030-R08W1.0-F**



Specifications		
Length	mm	25
Width	mm	9
Height	mm	3
Nominal Power	W	1
Max Power	W	1.2
Impedance	Ω	8
Min. SPL	dB	92
Resonant Frequency	Hz	600
Frequency Range	Hz	F0~5K
Cone Material	-	PEEK
Terminal Type	-	Solder Pads

